



calomax

Catering Water Boilers
where quality matters

Introduction

We offer a wide range of wall-mounted and counter-top water boilers, with unique energy-saving and health and safety features. These range from a 3-litre wall-mounted model ideal for a small staff canteen; to a 20-litre 6kW counter-top model, capable of supplying 312 cups in one hour.

Our latest addition is the stylish Eclipse High Top range with SteriTouch protection, energy-saving features and a slide-away cup stand.

All our counter-top models are supplied with a complementary spill tray, and all counter-top and wall-mounted boilers come with a two-year warranty. All boilers incorporate integral scale-inhibitor technology, feature self-diagnostic service indicators, and have cool-to-touch outer casings.

Calomax boilers offer the following advantages:

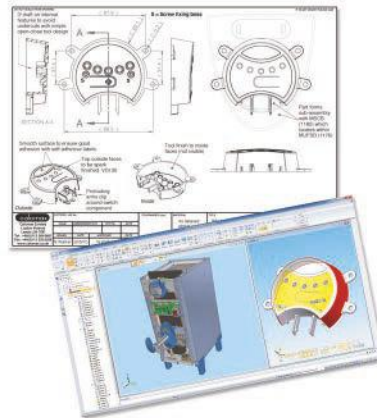
Safety - Some models feature a unique key-controlled dispense system that allows you to restrict access to the boiling water.

Energy-saving - our boilers are well insulated and sealed. No steam escapes and radiant heat loss is minimal. All models feature an additional economy function. As they are UK made they add less to your carbon footprint than imported models.

Long life expectancy - at least 5 years if properly maintained, the boilers afford a life-cycle costing that cannot be beaten.

Local service and back-up – immediate response to technical queries and requests for advice. Talk directly to our Service Manager – not a call-centre! We have a nationwide network of Calomax approved Service Partners who can supply local support for on-going maintenance.

Calomax is the only independent specialist manufacturer of catering water boilers in the UK, and we are proud to have supplied customers for the last 70 years. Our range of eco-friendly “Eclipse” boilers continues the Calomax tradition of offering robust, reliable, equipment, at competitive prices.



MADE IN
BRITAIN



Product Range

Wall-Mounted Boilers

Eclipse 2W3	3 litre capacity	5
Eclipse 3W5	5 litre capacity	5
Eclipse 3W7.5	7.5 litre capacity	6
Eclipse 3W10	10 litre capacity	6
Eclipse 3W15C	15 litre capacity	7
Eclipse PB3W5	5 litre capacity	7

Counter-Top Boilers

Eclipse 3C5C	5 litre capacity	11
Eclipse 3C10	10 litre capacity	11
Eclipse PB3C10	10 litre capacity	12
Eclipse HT3C10	10 litre capacity	12
Eclipse HT3C20/6C20	20 litre capacity	13

Accessories

14





Wall-mounted Boilers

Wall-mounted Boilers are available in a range of sizes

From the smallest: 3 litres = 18 cups initial draw-off - up to 142 cups in one hour
To the largest: 15 litres = 90 cups initial draw-off - up to 215 cups in one hour

Usually fitted above the kitchen sink / drainer, however wall-mounted drip trays are available to enable them to be installed elsewhere. Wall-mounted boilers can be used to fill just about anything from cups to large airpots and teapots, without taking up valuable counter-top space. Classed as “fixed electrical equipment” they will need to be hard-wired into your supply via a fused-spur, and by a qualified electrician.

A range of water boilers that put everyone else’s in the shade! These advanced boilers are eco friendly, as you can reduce the capacity by half at times when the use is lighter, thus saving on running costs. With a state of the art design and revolutionary handle which kills all bacteria on contact.

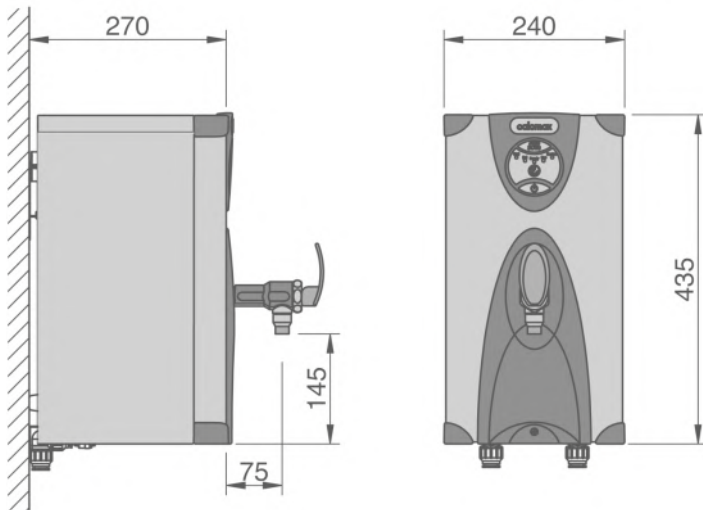


- UK made
- SteriTouch antibacterial protection
- Energy-saving function
- Extended warranty
- Built in scale-inhibitor
- Reliable
- Modern design
- Easy-service features



Eclipse 2W3

Ideal for the small office or staff room



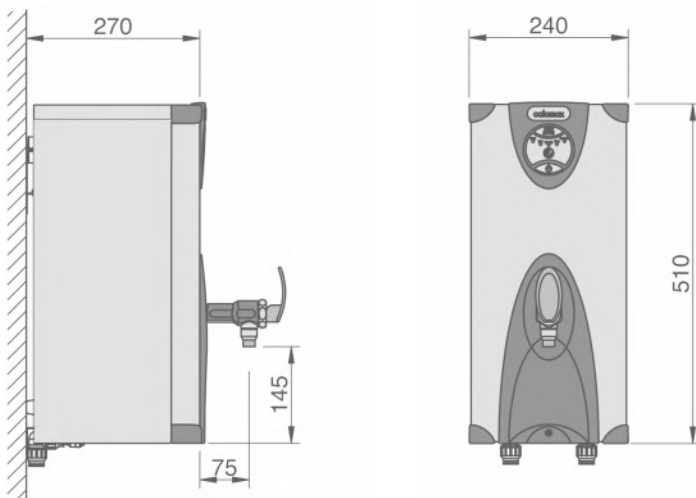
Also available in
Stainless Steel finish

REFERENCE		KW RATING	WORKING WEIGHT (KG)	CAPACITY OF BOILING WATER					
				Initial Draw-off			Hourly Output*		
Stainless Steel	White			Litres	Cups	Mugs	Litres	Cups	Mugs
2W3-SS	2W3-W	2	18	3	18	12	23	142	90

*Including initial draw-off

Eclipse 3W5

Suited to offices and hospital wards of up to 20 people



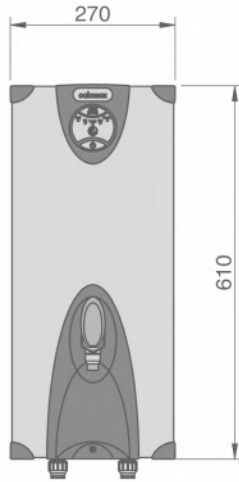
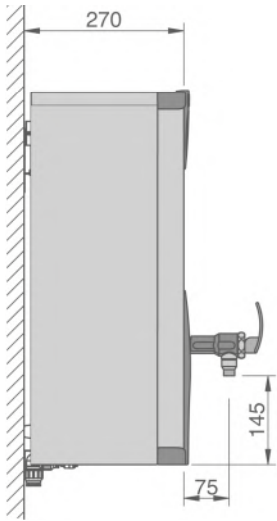
Also available in
Stainless Steel finish

REFERENCE		KW RATING	WORKING WEIGHT (KG)	CAPACITY OF BOILING WATER					
				Initial Draw-off			Hourly Output*		
Stainless Steel	White			Litres	Cups	Mugs	Litres	Cups	Mugs
3W5-SS	3W5-W	3	21	5	30	20	25	155	100

*Including initial draw-off

Eclipse 3W7.5

Ideal for medium volume applications of up to 30 people



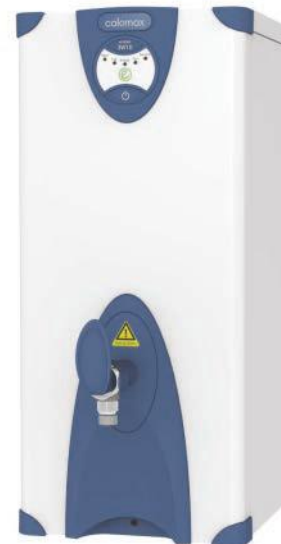
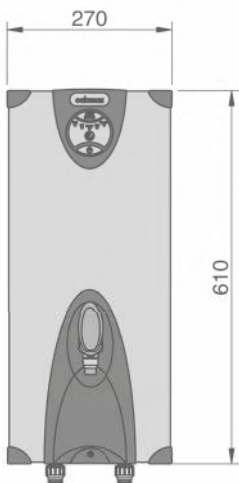
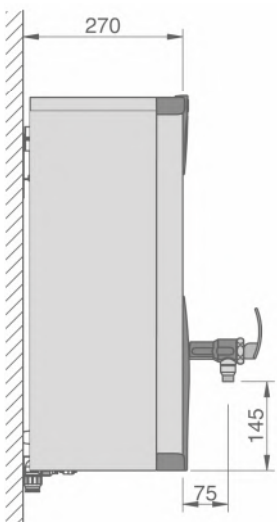
Also available in Stainless Steel finish

REFERENCE	KW RATING	WORKING WEIGHT (KG)	CAPACITY OF BOILING WATER						
			Initial Draw-off			Hourly Output*			
Stainless Steel	White		Litres	Cups	Mugs	Litres	Cups	Mugs	
3W7.5-SS	3W7.5-W	3	28	7.5	45	30	27	170	109

*Including initial draw-off

Eclipse 3W10

Typically suited to higher volume requirements of up to 40 people



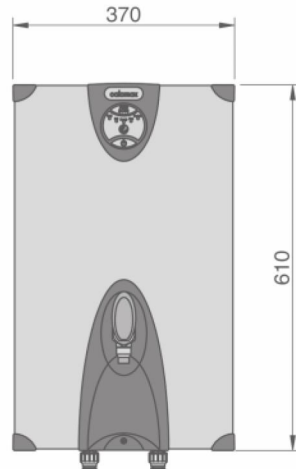
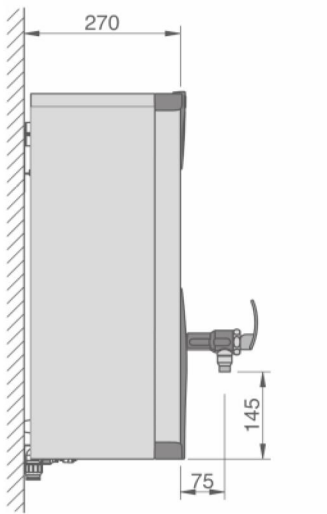
Also available in Stainless Steel finish

REFERENCE	KW RATING	WORKING WEIGHT (KG)	CAPACITY OF BOILING WATER						
			Initial Draw-off			Hourly Output*			
Stainless Steel	White		Litres	Cups	Mugs	Litres	Cups	Mugs	
3W10-SS	3W10-W	3	30.5	10	60	40	30	185	118

*Including initial draw-off

Eclipse 3W15C

When a high demand of up to 60 people has to be catered for, this model fits the bill!



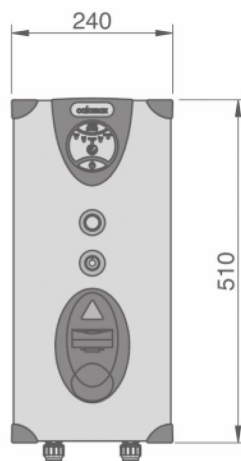
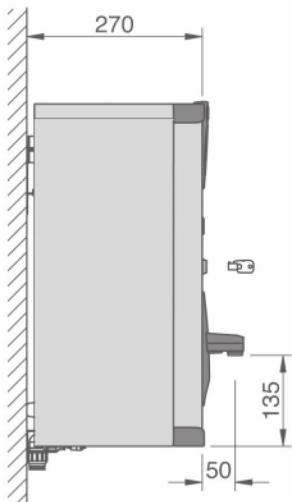
Also available in Stainless Steel finish

REFERENCE	KW RATING	WORKING WEIGHT (KG)	CAPACITY OF BOILING WATER						
			Initial Draw-off			Hourly Output*			
			Litres	Cups	Mugs	Litres	Cups	Mugs	
Stainless Steel 3W15C-SS	White 3W15C-W	3	35	15	90	60	35	215	138

*Including initial draw-off

Eclipse PB3W5

This push-button model incorporates a key-controlled dispense system as well as the energy-saving (eco) function as the standard models.



REFERENCE	KW RATING	WORKING WEIGHT (KG)	CAPACITY OF BOILING WATER						
			Initial Draw-off			Hourly Output*			
			Litres	Cups	Mugs	Litres	Cups	Mugs	
Stainless Steel PB3W5		3	30.5	5	30	20	25	155	100

*Including initial draw-off



Wall-Mounted Boiler - Installation Guide



To help with planning the installation, a guide can be found in the Support section of our website. By selecting typical options to suit the particular location, a suggested configuration is displayed. Supplementary fittings and accessories are also shown for consideration.





WELLSPEC LTD
100-102, The Arcade, Bury, Lancashire, BL9 9EJ
Tel: 01256 333333
Fax: 01256 333334
www.wellspec.co.uk

Counter-top Boilers

Counter-top Boilers are available in a range of sizes

From the smallest: 5 litres = 30 cups initial draw-off - up to 155 cups in one hour

To the largest: 20 litres = 125 cups initial draw-off - up to 312 cups in one hour

Supplied with a 13 amp plug and easily installed by a plumber / handyman; counter-top boilers are supplied with a complementary drip tray and are usually less expensive than the equivalent wall-mounted model.

Because of height and space restrictions in many kitchen areas, it is important you determine in advance which of the many models available will be most suitable for your requirements. Will you be filling cups and mugs, airtots and urns, or a combination? Do you need something that will fit under the cupboards? Would a lockable push-button model be more appropriate for your application; for example in Care Homes or Patient-areas in Hospital waiting rooms. Please visit the "perfect boiler" guide on our website homepage to help you decide.

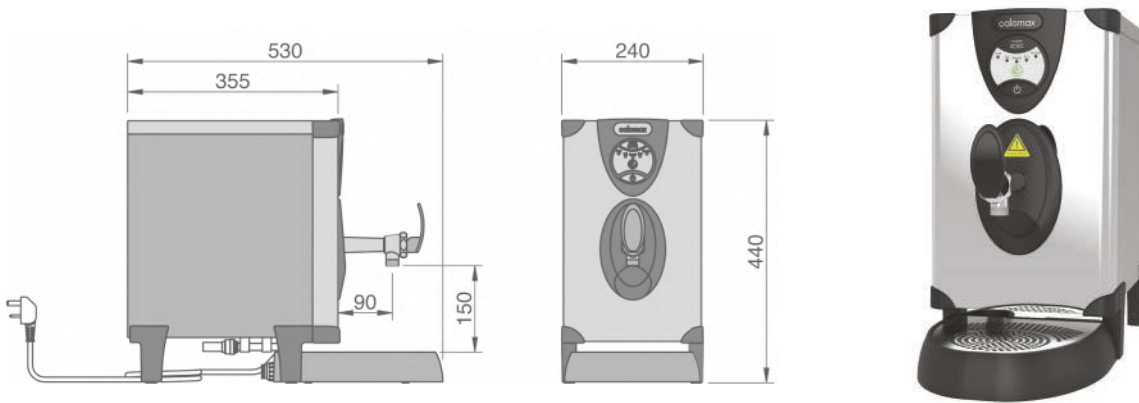
A range of water boilers that put everyone else's in the shade! These advanced boilers are eco friendly, as you can reduce the capacity by half at times when the use is lighter, thus saving on running costs. With a state of the art design and revolutionary handle which kills all bacteria on contact.

- UK made
- SteriTouch antibacterial protection
- Energy-saving function
- Extended warranty
- Built in scale-inhibitor
- Reliable
- Modern design
- Easy-service features



Eclipse 3C5C

Perfect when overhead space is limited, this compact machine fits neatly beneath wall cupboards positioned at a standard height of 18" above the worktop.

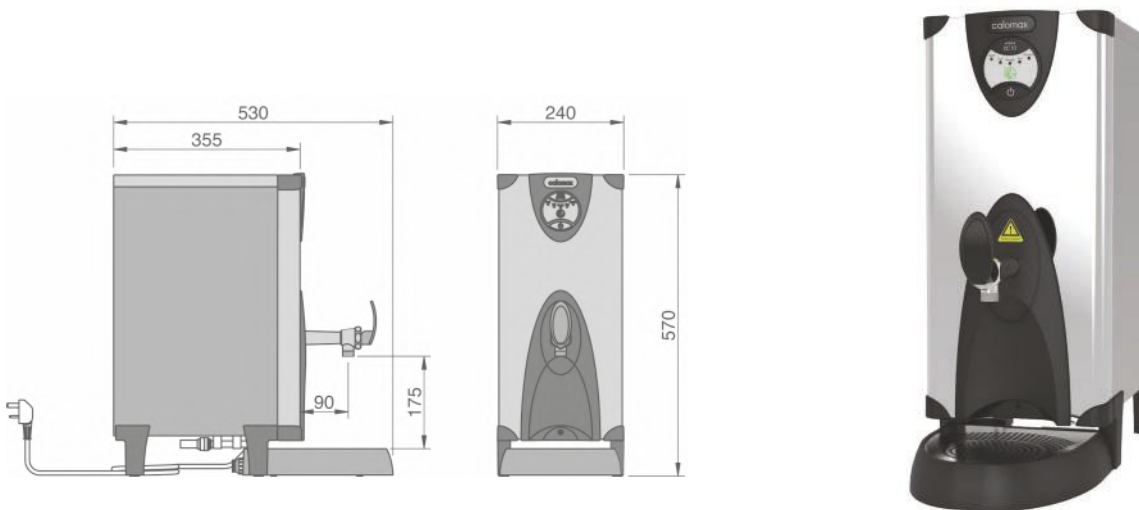


REFERENCE	KW RATING	WORKING WEIGHT (KG)	CAPACITY OF BOILING WATER					
			Initial Draw-off			Hourly Output*		
			Litres	Cups	Mugs	Litres	Cups	Mugs
Stainless Steel 3C5C	3	21	5	30	20	25	155	100

*Including initial draw-off

Eclipse 3C10

Our most popular counter-top boiler. Ideal for front-of-house applications or the larger office.

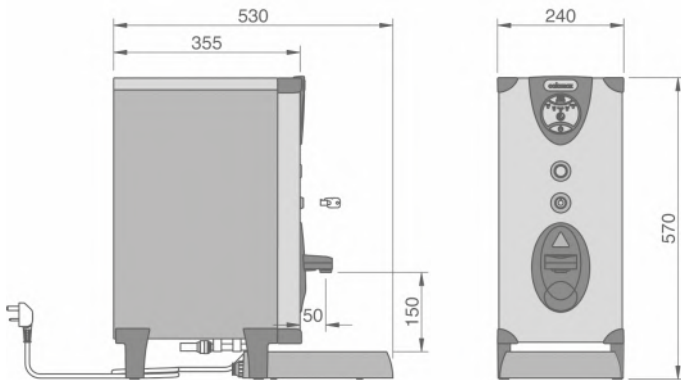


REFERENCE	KW RATING	WORKING WEIGHT (KG)	CAPACITY OF BOILING WATER					
			Initial Draw-off			Hourly Output*		
			Litres	Cups	Mugs	Litres	Cups	Mugs
Stainless Steel 3C10	3	30.5	10	60	40	30	185	118

*Including initial draw-off

Eclipse PB3C10

This push-button model incorporates a key-controlled dispense system as well as the energy-saving (eco) function as the standard models. The enclosed hot water nozzle allows for cups, mugs and small teapots to be filled safely at the push of a button.

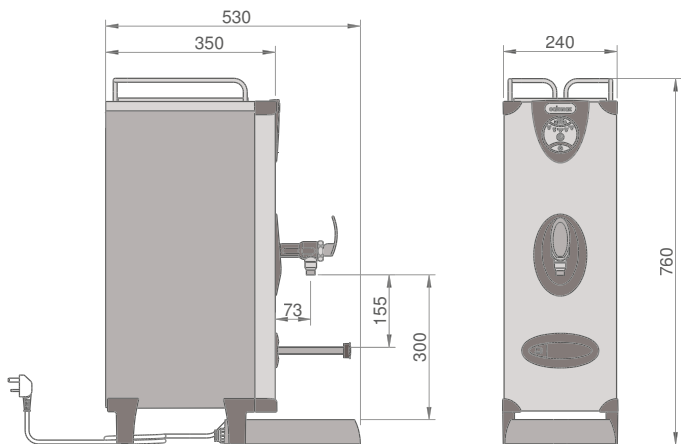


REFERENCE	KW RATING	WORKING WEIGHT (KG)	CAPACITY OF BOILING WATER					
			Initial Draw-off			Hourly Output*		
			Litres	Cups	Mugs	Litres	Cups	Mugs
Stainless Steel PB3C10	3	30.5	10	60	40	30	185	118

*Including initial draw-off

Eclipse HT3C10

The high tap clearance accommodates larger vessels such as coffee pots, whilst the slide-away cup support and warming plate makes this model a versatile all-rounder.

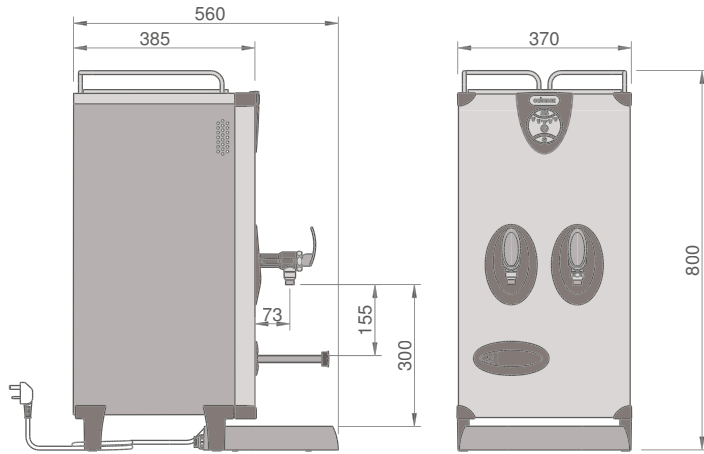


REFERENCE	KW RATING	WORKING WEIGHT (KG)	CAPACITY OF BOILING WATER					
			Initial Draw-off			Hourly Output*		
			Litres	Cups	Mugs	Litres	Cups	Mugs
Stainless Steel HT3C10	3	33	10	60	40	30	185	118

*Including initial draw-off

Eclipse HT3C20 / HT6C20

The HT3C20 / HT6C20 have two dispensing nozzles which operate at different flow rates: one faster for use with larger vessels, the other is slow for filling small cups safely, without scalding or splashing.

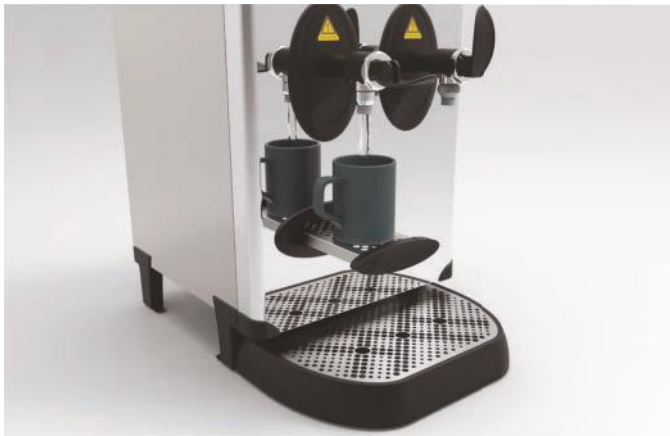


Plug & lead fitted to HT3C20 only



REFERENCE	KW RATING	WORKING WEIGHT (KG)	CAPACITY OF BOILING WATER					
			Initial Draw-off			Hourly Output*		
			Litres	Cups	Mugs	Litres	Cups	Mugs
Stainless Steel								
HT3C20	3	53	20	125	80	40	250	160
HT6C20	6	54	20	125	80	50	312	200

*Including initial draw-off



Key Features

- Slide-away cup support for safe filling of cups or mugs
- High Tap clearance accommodates larger vessels such as coffee pots and vacuum flasks
- Cup warming plate helps to maintain beverage temperature.



Counter-top Boiler - Installation Guide



To help with planning the installation, a guide can be found in the Support section of our website. By selecting typical options to suit the particular location, a suggested configuration is displayed. Supplementary fittings and accessories are also shown for consideration.

All accessories can be purchased on our website at www.calomax.co.uk



Eclipse Black wall mounted spill tray
ORDER CODE: EWMDTK/2
ORDER CODE: EWMDTK/3 For PB3W5



Eclipse Blue wall mounted spill tray
ORDER CODE: EWMDTK1



WRAS approved water filtration to reduce taste and odour problems

ORDER CODE: CWFK

Kit with cartridge

ORDER CODE: CWFC1

Replacement cartridge



Securing Clamps
Eclipse Counter-top
ORDER CODE: MFK



We offer a range of time switches to further reduce energy usage for periods when boiling water is not required e.g. overnight and weekends.



A guide to typical installations can be found on our website and installation parts and fittings are available in our web shop.

A dynamic splash of clear water moving from left to right across the bottom half of the page, with many droplets and bubbles visible.

calomax

Catering Water Boilers

For over 70 years Calomax has been manufacturing water boilers at our factory in Leeds. As well as the standard products shown in this brochure, we also make a wide range of "specials" - boilers for rail networks, oil-rigs and ships at sea. If you have a bespoke requirement please let us know. If you would like some help or advice in choosing the best water boilers for your particular need, please give us a call or see the guide on our website.

Calomax Limited

Lupton Avenue, Leeds, West Yorkshire, LS9 7DD
Tel: 0113 249 6681 Email: sales@calomax.co.uk

www.calomax.co.uk

www.calomaxrail.com

 @calomaxboilers

DISTRIBUTOR

v5 03/22